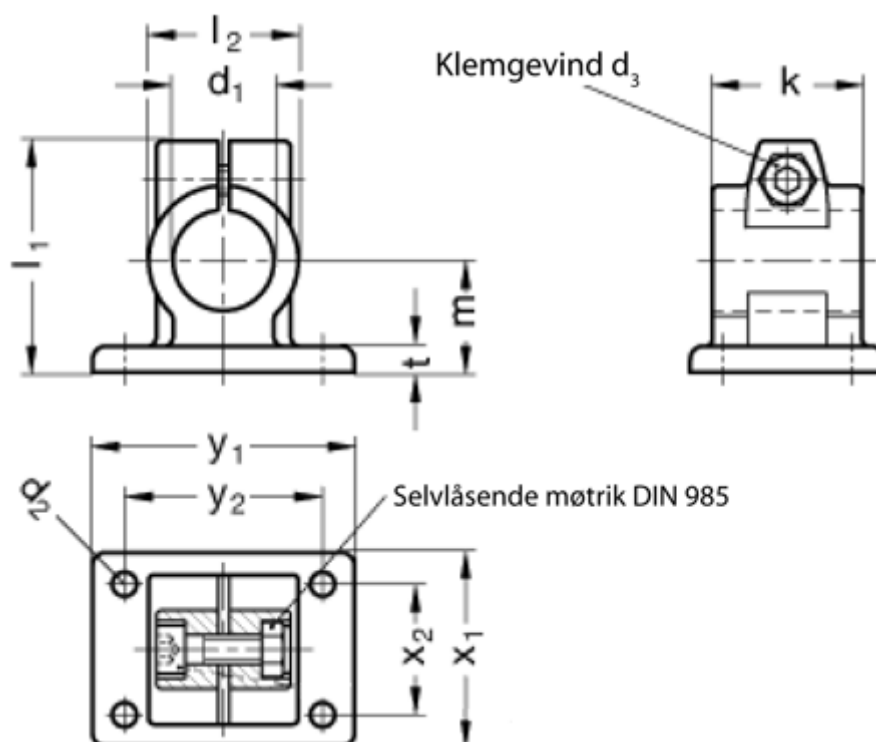


Article number: 20146B20402SW

Description: E+G  
Flanged Connector GN 146-B20-40-2-SW

## Measures



Adjustable clamp lever = GN 911-M 8-32 have to be ordred separately

d1	= B20
d2	= 6.5
d3	= M 8
k	= 40
l1	= 62
l2	= 40
m	= 30

t	= 7
x1	= 52
x2	= 35
y1	= 70
y2	= 53